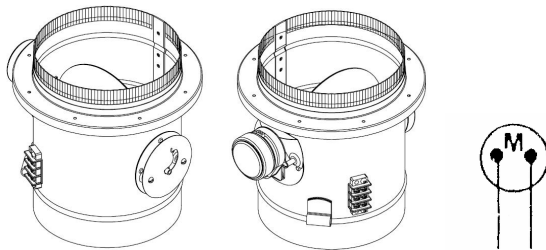




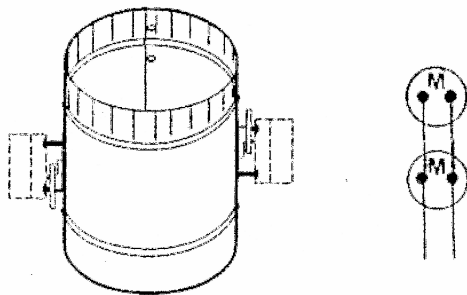
Installation and Various Wiring Options of the **HMI** HOYME **Motorized**  
**Inline UNIVERSAL AIR CONTROL DAMPER – SERIES ‘HAC’** to  
 Control MAKE-UP, REPLACEMENT, VENTILATION, FLUE AND ZONE AIR  
 FOR RESIDENTIAL AND COMMERCIAL USE

**INSTALLATION SHALL BE SUBJECT TO THE APPROVAL OF THE ENFORCING AUTHORITIES**

This universal motorized **24VAC Air Control Damper**, Series **HAC**, fastens to an air duct in-line to control the flow of air, partially or completely, depending on its mechanical setting. This damper may be ordered with **one** motor, **two** motors or a **Belimo** actuator.



**With the one motor drive**, an on/off switch is required to either power the damper open (**PO**) or power it closed (**PC**), spring return.  
 i.e. HAC-xx1x-xPO or xPC

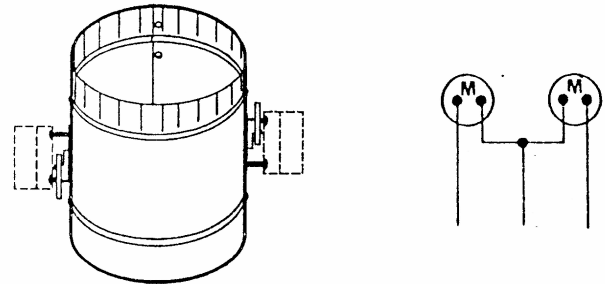
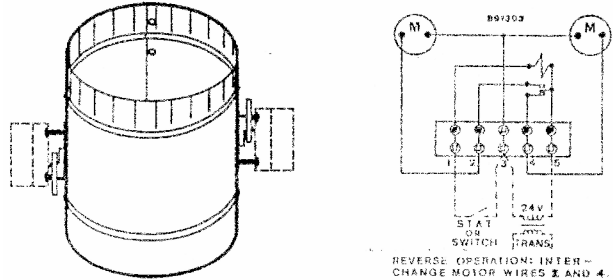


**With the two motor drive**, there are **three** wiring options:

**(1)** Two motors to power the damper open (PO) or two motors to power it closed (PC) with spring return. An on/off switch is required.  
 i.e. HAC-xx2x-xPO or xPC

**(2)** One motor powers the damper open and the other motor powers it closed with a relay.

An on/off switch is required with continual 24Vac supply. I.e. HAC-xx21-xPP

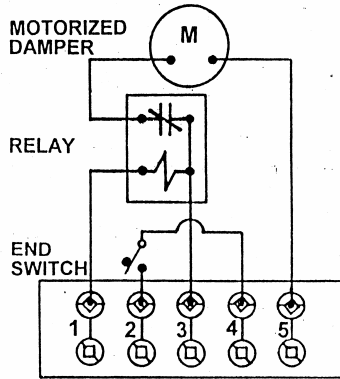


**(3)** A continual 24Vac supply is required with a three-way mechanical switch to direct power to one motor for opening or to the other motor for closing i.e. HAC-xx20-PO/C.

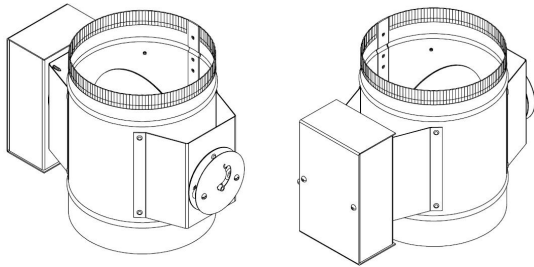


**The Belimo actuator** requires a continual 24 Vac supply plus an on/off switch to Power the damper Open (PO) or Power it Closed (PC). The Belimo actuator is usually used for dampers in excess of 10" in diameter.

HAC dampers can be ordered with an end switch for **interlocking** to an appliance so that the damper **proves its position** before appliance operates. i.e. HAC-xxPC-Sxx



For **Residential & Commercial** installations, **RELAY ADAPTORS** have been designed to inter-connect and where necessary, inter-lock dampers to **250mVdc-100Vdc or 120Vac Control Systems**.



**DAMPERS DESIGNED FOR HEAT or FLUE DAMPERS** have a 10% bypass to allow for a minimum escape of air. The wiring and the nylon bearings are mounted 1" away from the heated part of the damper. The suffix letter '**H**' designates the damper is for heat and has several options for wiring. The flue damper has the suffix letter '**F**' and comes with strict [wiring instructions](#). Dampers are designed for years of trouble free service.

**All electrical and building codes including local codes relating to air control and exhaust must be followed. A qualified contractor shall be consulted regarding these installations.**

Specifications: Volts-24 ac, 50/60 Hz.  
Motor 5 Watts. Relay Coil 0.05 Amps.

A typical Damper Identification:

e.g.: \* **HAC-0621-SPO -'H'** (Heat)  
or **HAC-0611-SPC -'F'** (Flue) to 9" dia. only.  
**HAC-1041-SPC -'F'** (Flue) 10" dia. & up.  
Note: #4 above indicates one only Belimo motor.

**Series Dia. Motor Relay - Switch- PO/PC**  
\*HAC - O6 2 1 - S - PC - 'H' or 'F'  
Series: \_\_\_\_\_  
Dia.(in.) \_\_\_\_\_  
No. of Motors \_\_\_\_\_  
No. of Relays \_\_\_\_\_  
Damper Proving Switch \_\_\_\_\_  
PO=Power Open. PC=Power Close,  
Suffix '**H**' for Heat; '**F**' for Flue

**ELECTRICAL WIRING** shall be done in accordance with the National Electrical Codes or with Local Codes where they prevail. Additional wire shall be of the same size and type as used with existing control circuits. Wiring thereto shall be well secured and reasonably remote from any source of heat.

**INSTALLER** must be a trained, qualified person. Labels and damper position shall be readily visible when in the installed position.

- When connecting to other than 24Vac, relay adaptors are available such as the ADP- 0MV2' for 250mVdc – 100Vdc, 'ADP-1101, ADP-1102, - TMADP-1102 for 120Vac control systems and the ADP-0241 for 24Vac to control 120Vac.
- Always conduct a thorough check-out after installation is complete.
- Sequence the appliance through at least three normal cycles to confirm proper operation.
- Affix appropriate labels and follow instructions and warnings on each label.

For more information, please contact  
**HOYME Manufacturing Inc. @ 1-800-661-7382.**  
Web: [www.hoyme.com](http://www.hoyme.com)

Printed in Canada